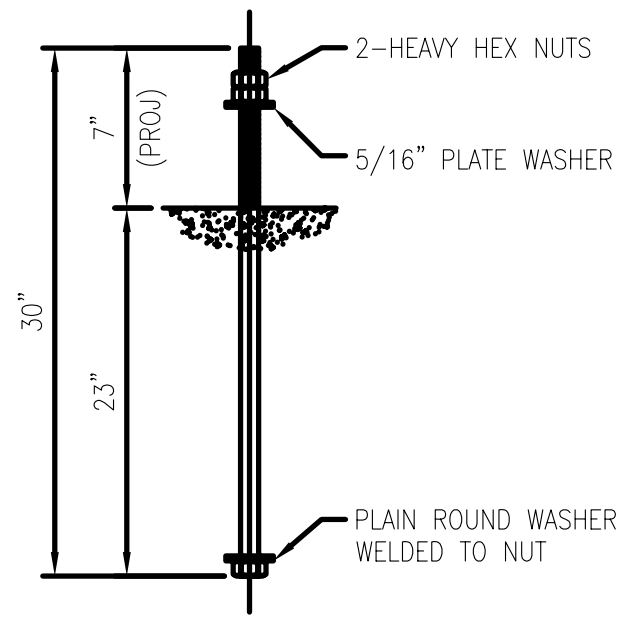
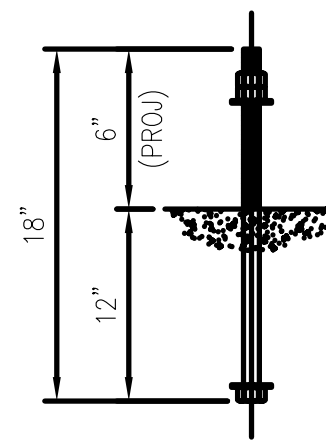


NOTE:
THICKEN SLAB
AS REQUIRES.

TYP. DETAIL 2"Ø, 1 3/4"Ø AND
1 1/2"Ø ANCHOR RODS
1"=1'-0"



TYP. DETAIL 1 1/4"Ø AND
1 1/8"Ø ANCHOR RODS
1"=1'-0"



TYP. DETAIL 1"Ø AND
3/4"Ø ANCHOR RODS
1"=1'-0"

ALL RODS TO BE
ASTM-F1554, 55KSI
S-1 (WELDABLE) U.N.O.

BOLT SIZE	UPLIFT (T)
2"Ø	70 kips
1 3/4"Ø	60 kips
1 1/2"Ø	50 kips
1 1/4"Ø	30 kips
1 1/8"Ø	25 kips
1"Ø	11 kips
3/4"Ø	8 kips

DETAIL R
1"=1'-0"